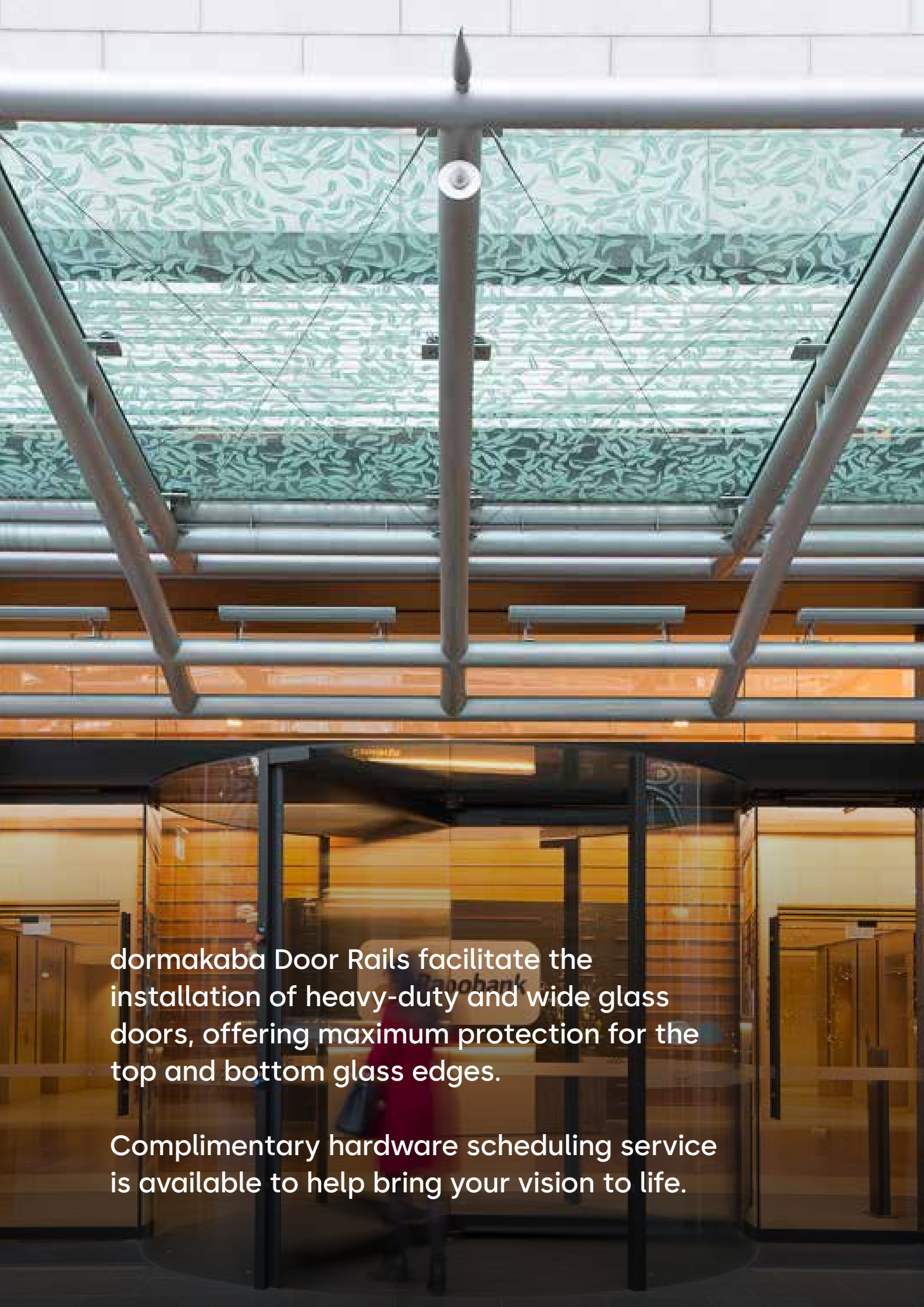


Door Rails

Interior Glass Systems





dormakaba Door Rails facilitate the installation of heavy-duty and wide glass doors, offering maximum protection for the top and bottom glass edges.

Complimentary hardware scheduling service is available to help bring your vision to life.

Table of contents

4. Pivot Door Rails

8. Sliding Door Rails

12. Pivots & inserts

14. BTS Floor Springs

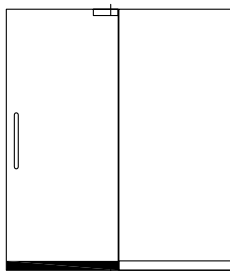
15. Glossary

CDS 41 - Bottom Pivot Door Rails

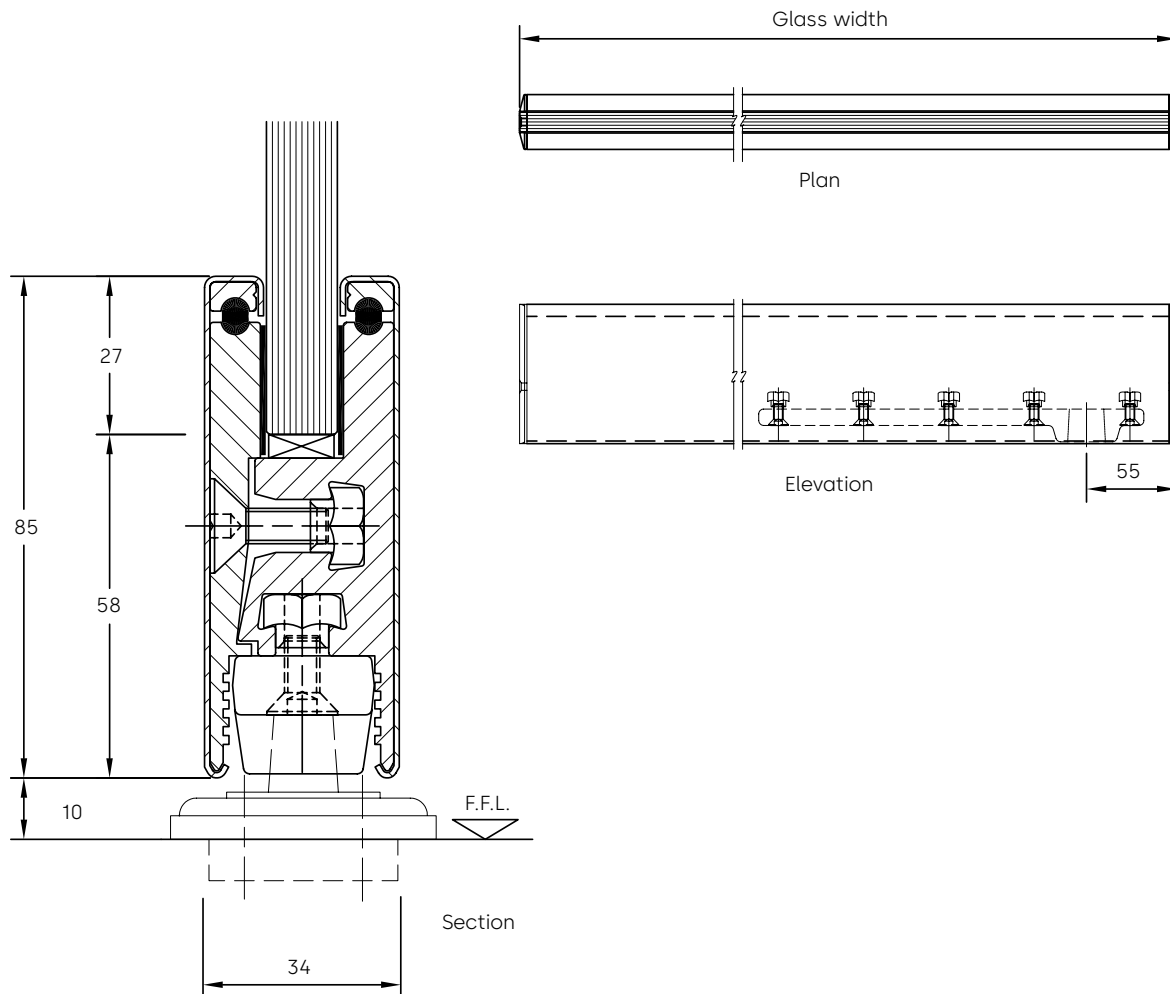
The 85mm high bottom door rail suits dormakaba BTS Floor Springs and Floor Pivots.

- Available in 10mm, 12mm, 13.5mm, 15mm, 17.5mm & 19mm glass thickness. Width of door rail is dependent on glass thickness.
- Available in Mill, SAA, SSS & PSS. Special finishes on application.
- Specify adjustable pivot point (55mm or 65mm).
- Illustrated using 8560G with 2.5mm extension - article number: 85210033.

Dimensions & Glass Preperation



Capacity	CDS 41
Max. door weight	150kg
Max. door width	1450mm
Article Number	Item
9409000000007	CDS 41

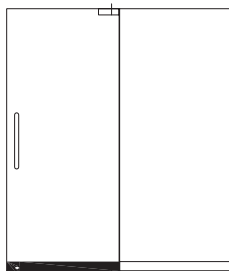


CDS 42 - Bottom Pivot Door Rails

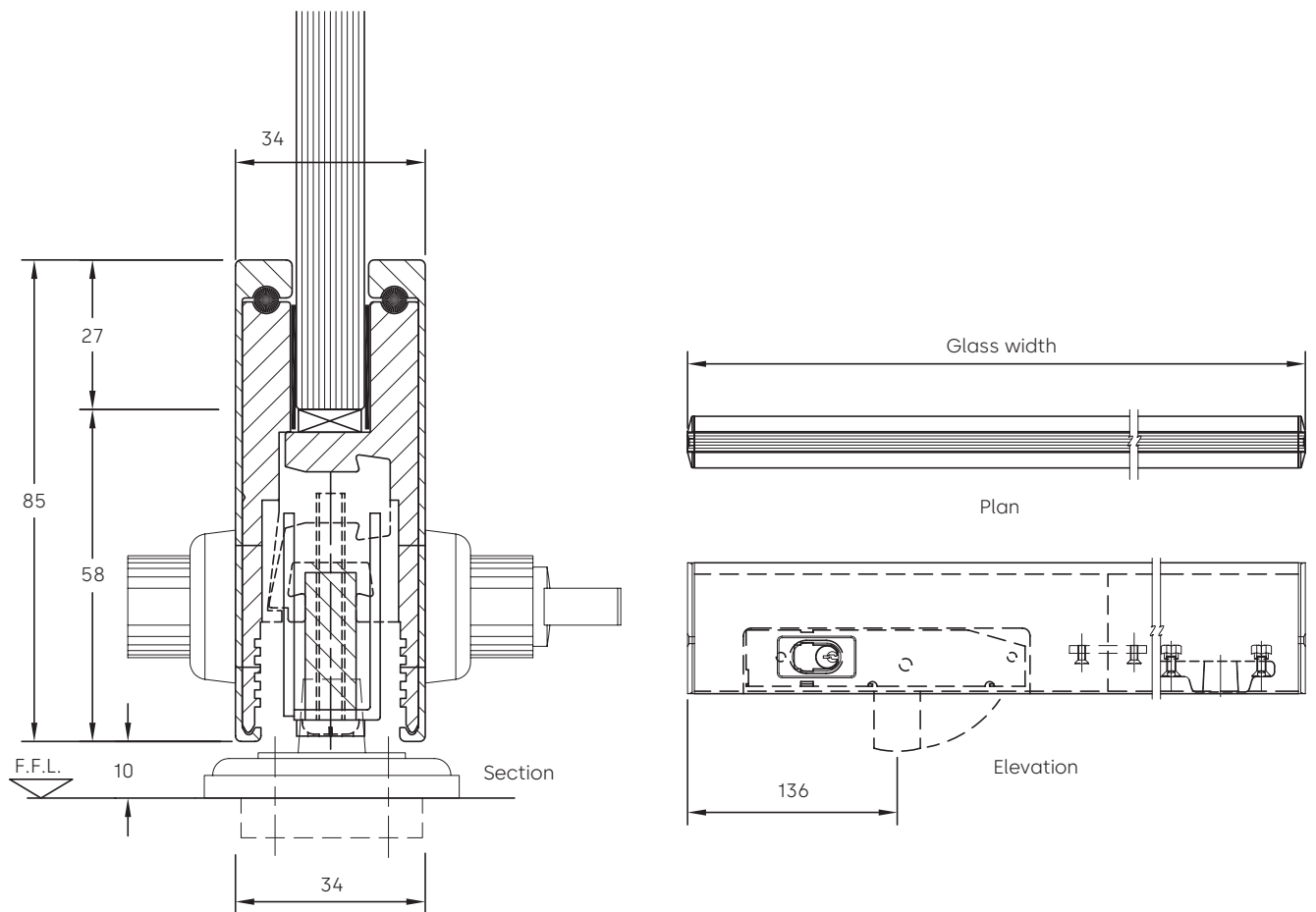
The 85mm high bottom door rail, complete with the door lock (DC 590), is suitable for dormakaba BTS Floor Springs and Floor Pivots.

- Available in 10mm, 12mm, 13.5mm, 15mm, 17.5mm & 19mm glass thickness. Width of door rail is dependent on glass thickness.
- Available in Mill, SAA, SSS & PSS. Special finishes on application.
- Specify adjustable pivot point (55mm or 65mm).
- Specify lock operation either single cylinder, double cylinder or cylinder and turn.
- Illustrated using 8560G with 2.5mm extension - article number: 85210033.

Dimensions & Glass Preparation



Capacity	CDS 42
Max. door weight	150kg
Max. door width	1450mm
Article Number	Item
9409000000010	CDS 42



Note:

- Optional pin lock and Euro cylinders are also offered, consult with your dormakaba sales representative.

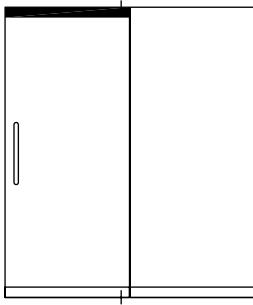
Please consult with your dormakaba sales representative for greater bearing on the product's capabilities.

CDS 43 - Top Pivot Door Rails

The 85mm high top door rail, complete with a side load top adaptor, suits 15mm diameter top pivot.

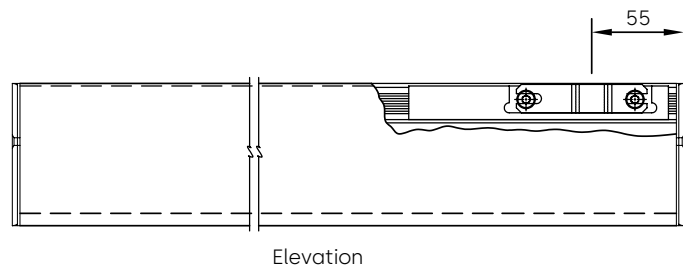
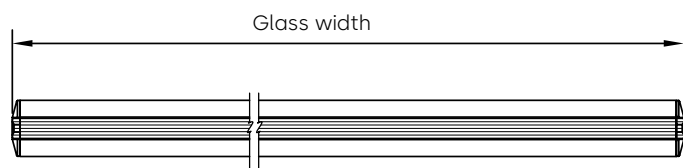
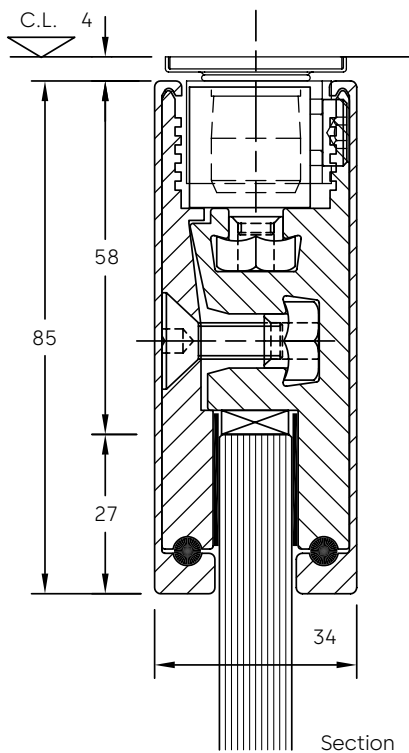
- Available in 10mm, 12mm, 13.5mm, 15mm, 17.5mm & 19mm glass thickness. Width of door rail is dependent on glass thickness.
- Available in Mill, SAA, SSS & PSS. Special finishes on application.
- Specify adjustable pivot point (55mm or 65mm).
- Illustrated with CD58 top pivot - article number: 9400000001709.

Dimensions & Glass Preparation



Capacity	CDS 43
Max. door weight	150kg
Max. door width	1450mm

Article Number	Item
9409000000013	CDS 43

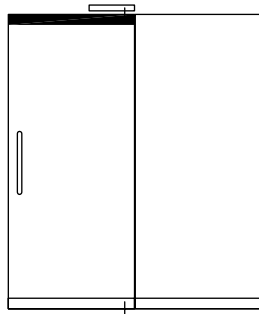


CDS 43 RTS - Top Pivot Door Rails

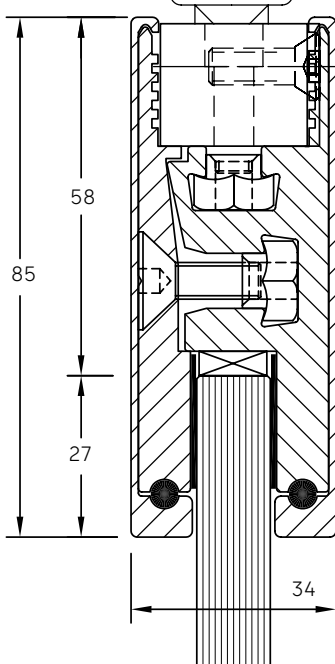
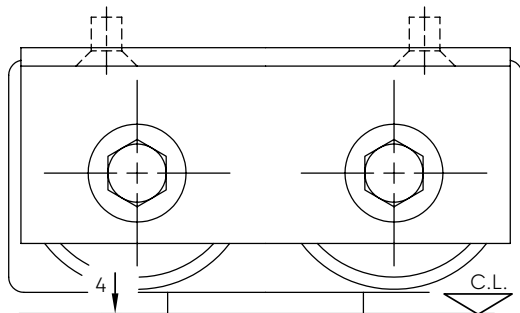
The 85mm-high top door rail, complete with a side load RTS top adaptor, suits dormakaba RTS transom closers.

- Available in 10mm, 12mm, 13.5mm, 15mm, 17.5mm & 19mm glass thickness. Width of door rail is dependent on glass thickness.
- Available in Mill, SAA, SSS & PSS. Special finishes on application.
- Illustrated as the standard version with a 0 degree angular offset. Also available with an angular offset of 3 degrees to either the left or the right.
- Standard pivot point 65mm.
- Illustrated with RTS 85 transom closer.

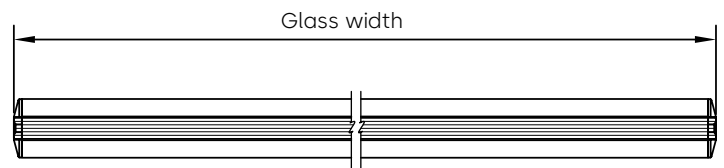
Dimensions & Glass Preparation



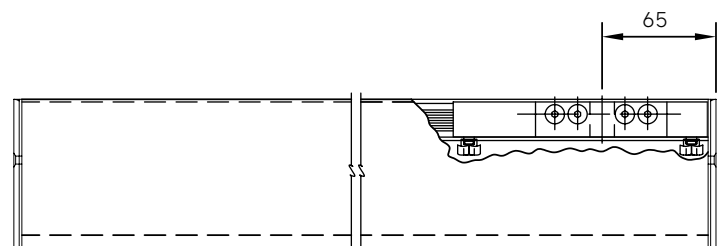
Capacity	CDS 43 RTS
Max. door weight	110kg
Max. door width	1250mm
Article Number	Item
9409000000014	CDS 43 RTS



Section



Plan



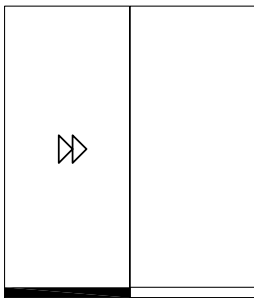
Elevation

CDS 41 S - Bottom Sliding Door Rails

The 85mm bottom door rail suits both Automatic or Manual Sliding Doors.

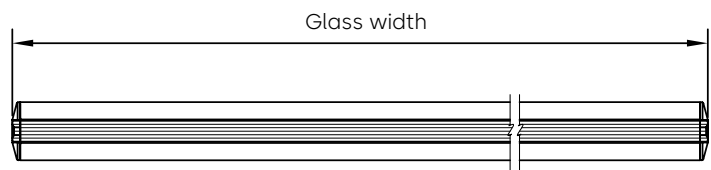
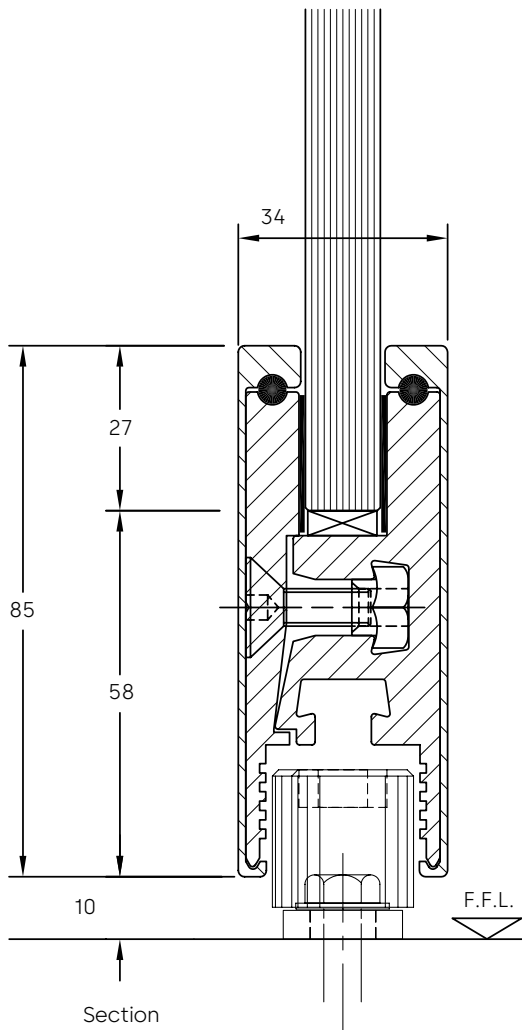
- Available in 10mm, 12mm, 13.5mm, 15mm, 17.5mm & 19mm glass thickness. Width of door rail is dependent on glass thickness.
- Available in Mill, SAA, SSS & PSS. Special finishes on application.
- Illustrated with CD 03 internal roller guide - article number: 9400000004518.

Dimensions & Glass Preparation

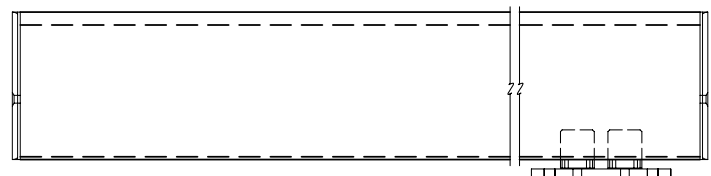


Capacity	CDS 41 S
Max. door weight	150kg

Article Number	Item
9409000000009	CDS 41 S



Plan



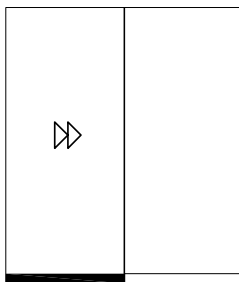
Elevation

CDS 42 S - Bottom Sliding Door Rails

The 85mm bottom door rail, complete with door lock (DC 590) suits both Automatic or Manual Sliding Doors.

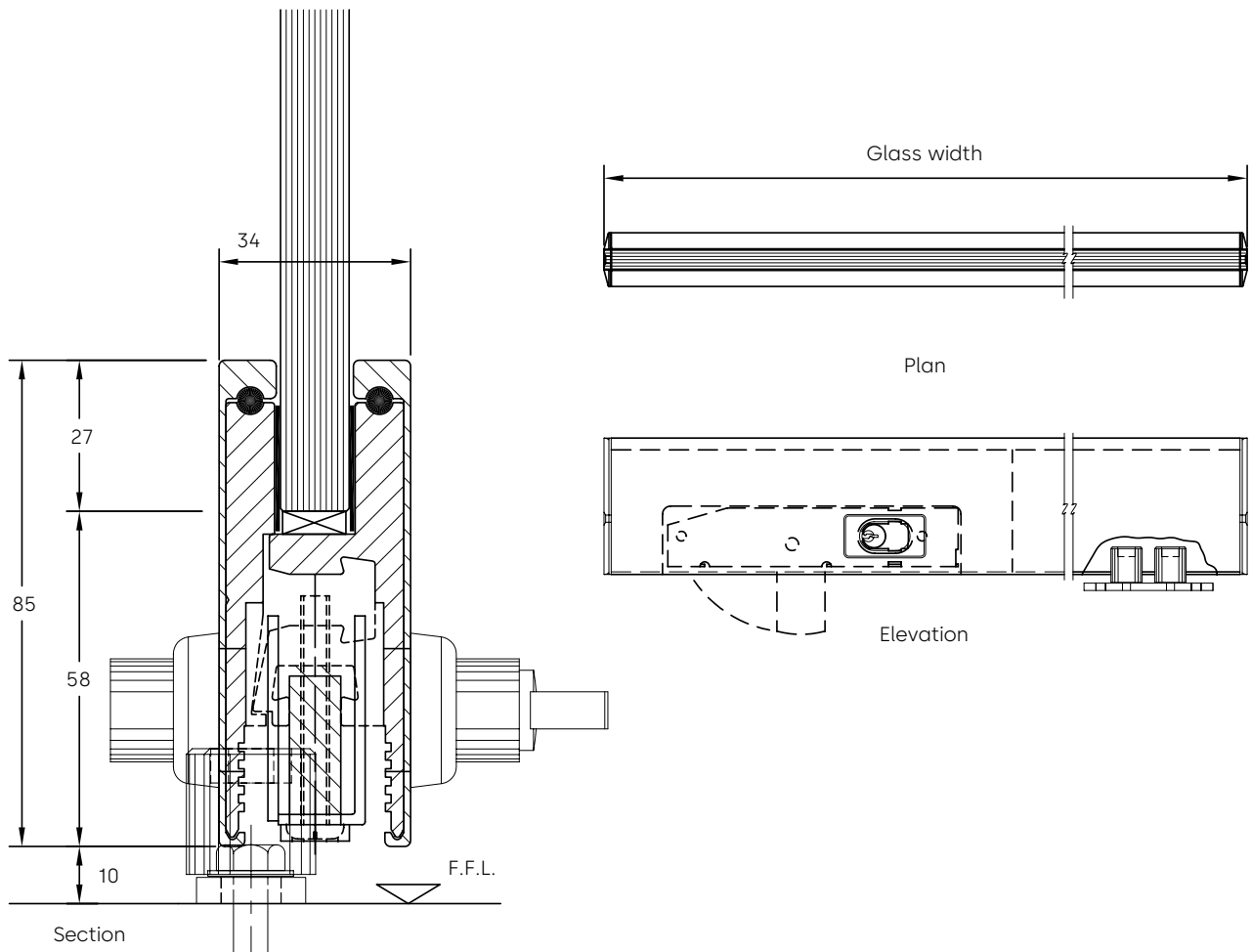
- Available in 10mm, 12mm, 13.5mm, 15mm, 17.5mm & 19mm glass thickness. Width of door rail is dependent on glass thickness.
- Available in Mill, SAA, SSS & PSS. Special finishes on application.
- Specify lock operation either single cylinder, double cylinder or cylinder and turn.
- Illustrated with CD 03 internal roller guide - article number: 940000004518.

Dimensions & Glass Preparation



Capacity	CDS 42 S
Max. door weight	150kg

Article Number	Item
9409000000012	CDS 42 S



Note:

- Optional pin lock and Euro cylinders are also offered, consult with your dormakaba sales representative.

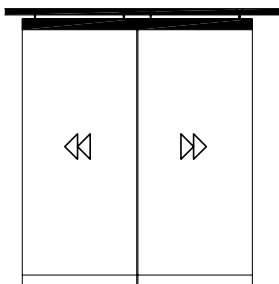
Please consult with your dormakaba sales representative for greater bearing on the product's capabilities.

CDS 43 S - Top Sliding Door Rails

The 85mm high bolt through top door rail suits both Automatic or Manual Sliding Doors.

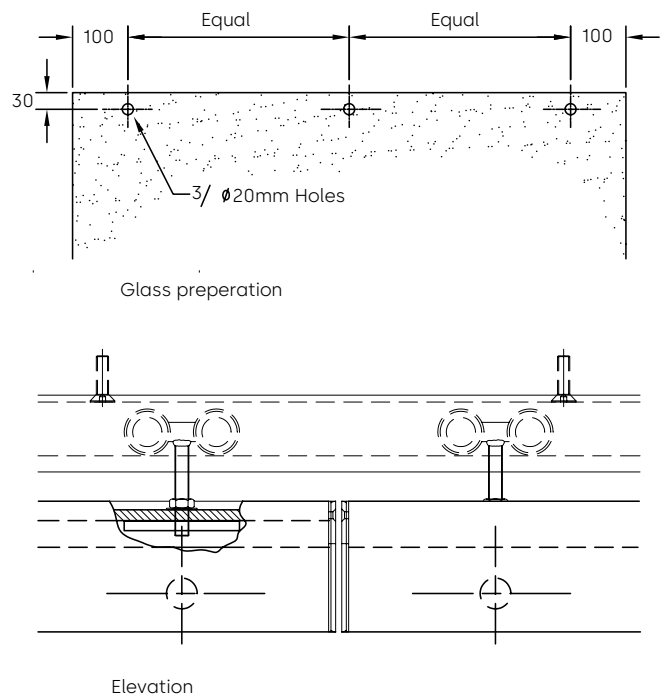
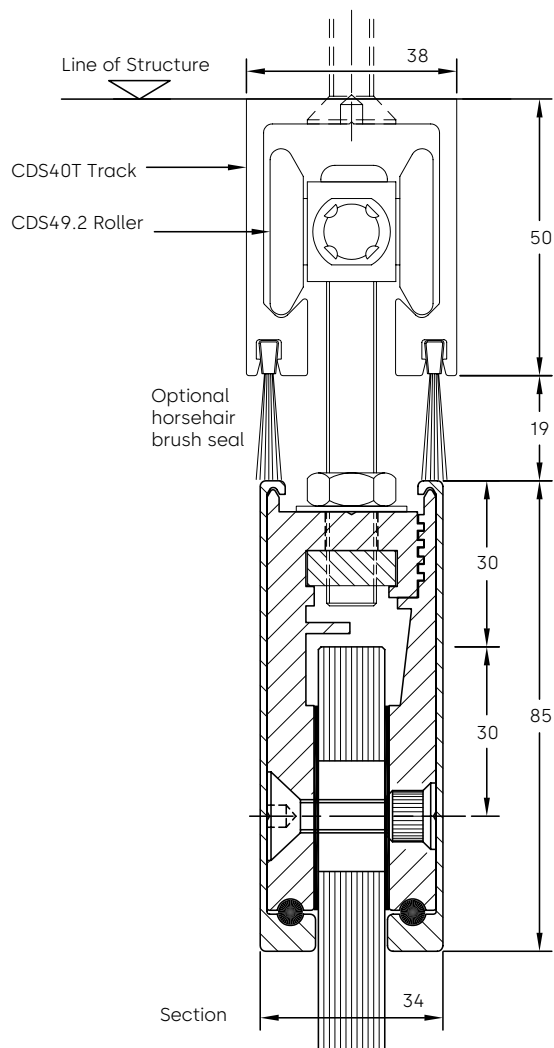
- Available in 10mm, 12mm, 13.5mm, 15mm, 17.5mm & 19mm glass thickness. Width of door rail is dependent on glass thickness.
- Available in Mill, SAA, SSS & PSS. Special finishes on application.
- Illustrated with CDS 40TU sliding top door track- article number: 9400000004910. And CDS 49.2 track roller - article number: 9400000001735.
- Available fixing kit to suit dormakaba automatic operators - article number: 9400000001734.

Dimensions & Glass Preparation



Capacity	CDS 43 S
Max. door weight	150kg

Article Number	Item
9409000000015	CDS 43 S

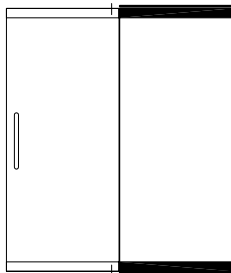


CDS 47/ 48 - Side light Rails

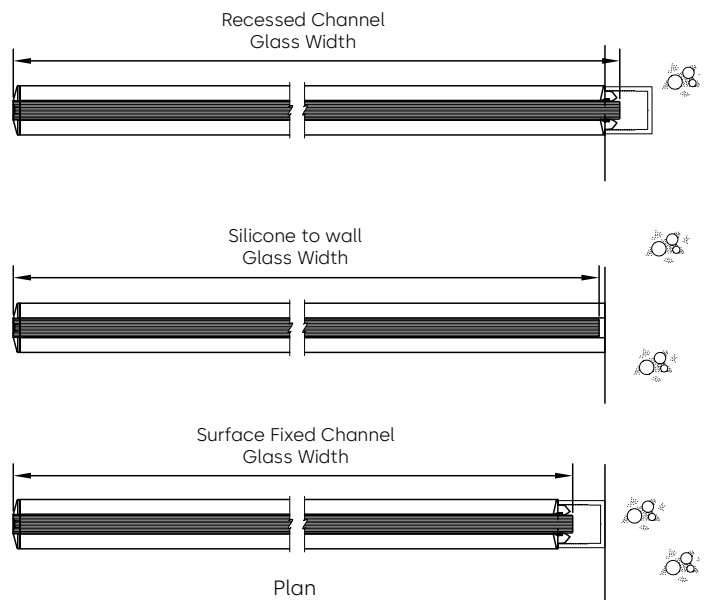
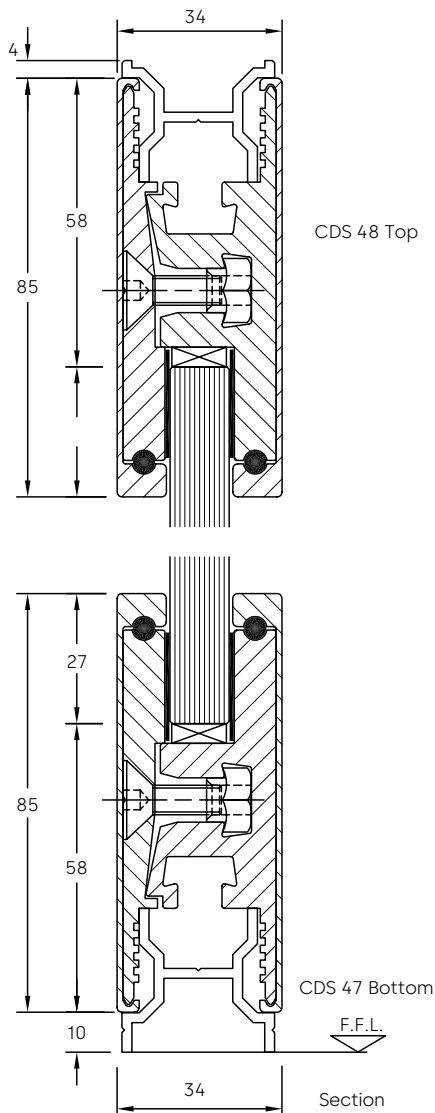
The 85mm high side light rail complete with 4/10mm filler section suits side light installation.

- Available in 10mm, 12mm, 13.5mm, 15mm, 17.5mm & 19mm glass thickness. Width of door rail is dependent on glass thickness.
- Available in Mill, SAA, SSS & PSS. Special finishes on application.
- Specify one or two End Caps as required.
- Specify CDS 47 for bottom side light rail and CDS 48 for top side light rail.

Dimensions & Glass Preparation



Article Number	Item
9409000000018	CDS 47
9409000000019	CDS 48

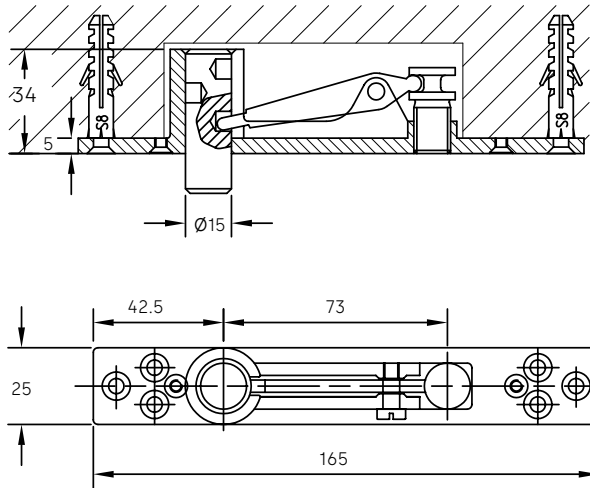


Note: Please consult with your dormakaba sales representative for greater bearing on the product's capabilities.

Pivots

8066U

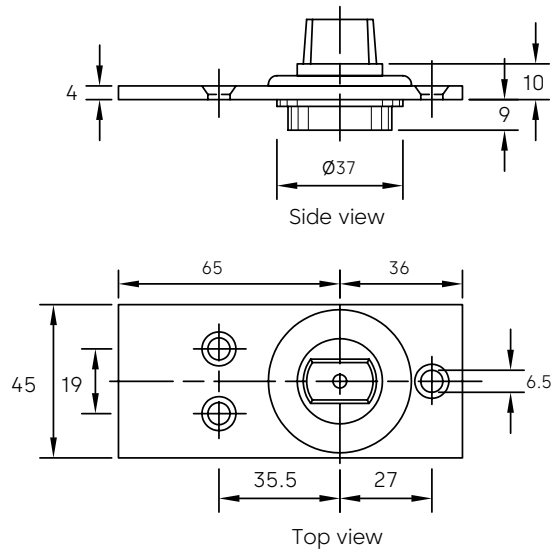
15mm upper pivot assembly, wind down.



Article Number	Item
46020036	8066U

8560 G

Floor pivot bearing with 2.5mm extension.

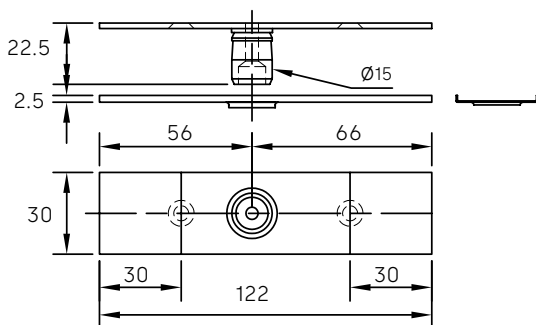


- Door weight - 110kg with RTS Closer.
- Door weight - 200kg with free pivot.

Article Number	Item
85210033	8560 G

CD58

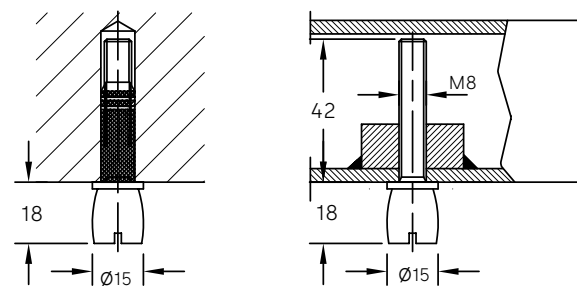
15mm upper pivot assembly with cover.



Article Number	Item
9400000001709	CD 58

PT 25

M8 Threaded 15mm upper pivot.

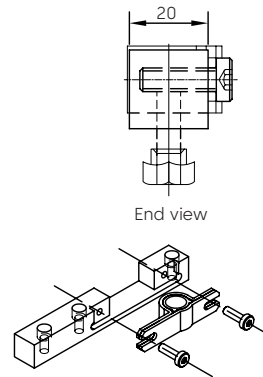
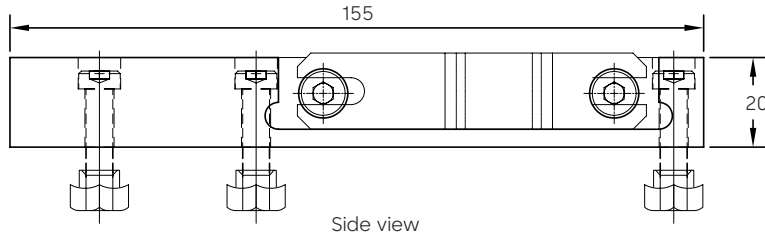


Article Number	Item
9400000007388	CD 58

Inserts

CDS 40.4

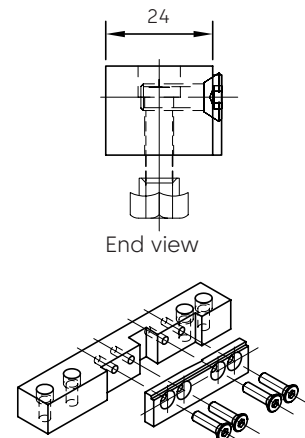
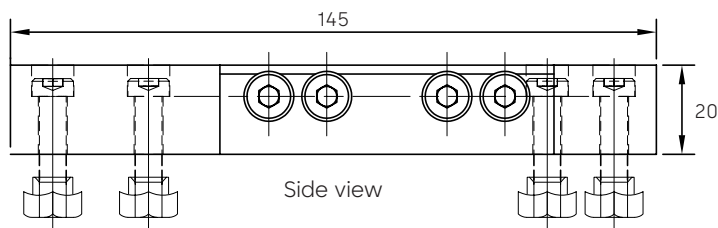
Side Load Top Adaptor.



Article Number	Item
9400000001728	CDS 40.4

CDS 40.6 RTS L/R

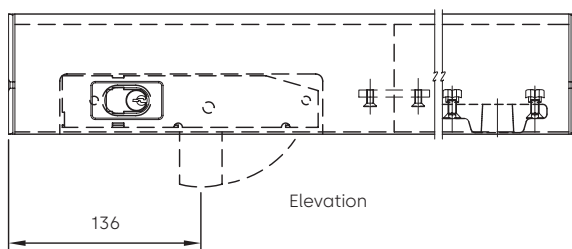
Top adaptor to suit dormakaba RTS.



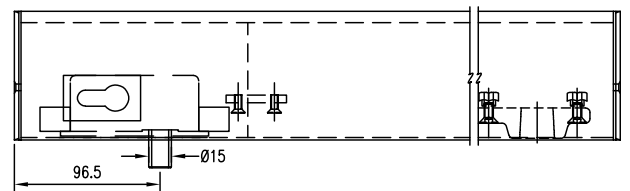
Article Number	Item
9400000001730 (LH)	CDS 40.6 RTS (LH)
9400000001731 (RH)	CDS 40.6 RTS (RH)
9400000001729	CDS 40.6 RTS

LOCKING OPTIONS

Throw Lock



Pin Lock



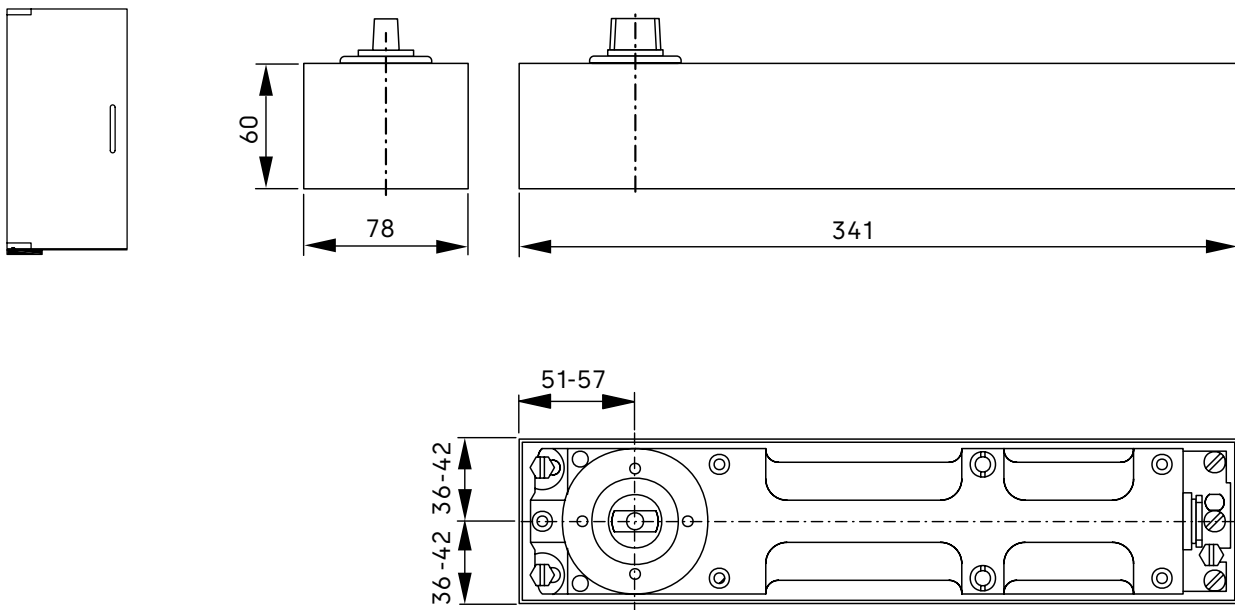
Note: Please consult with your dormakaba sales representative for greater bearing on the product's capabilities.

BTS 80

The BTS 80 heavy duty floor spring, suited to doors up to 300kg in weight and 1400mm wide.

- Adjustable closing speed.
- Hold-open range or delayed action range.
- Adjustable range - point at which hold-open begins, or end of delayed action range (approx. 75° to 105°).
- Mechanical backcheck (from approx. 80°).
- Floor spring includes engageable hold open as standard.
- 7410 cover plate available in SSS & PSS.
- Available with sealing compound - article number: 45090086.

Dimensions & Glass Preparation



Article number	Description
80110000	BTS80 EN4 WITH SPINDLE, CEMENT BOX
80120000	BTS80 EN3 WITH SPINDLE, CEMENT BOX
80130000	BTS80 EN6 WITH SPINDLE, CEMENT BOX

Glossary

Term	Definition
CL	Ceiling Level
FFL	Finished Floor Level
FG	Floor Guide
L/R	Left or Right hand
LH	Left Hand
LOL	Handing
LOR	Handing
PSS	Polished Stainless Steel finish
RH	Right Hand
RTS	Transom concealed door closer suitable
S	Sliding rails for sliding doors
SAA	Satin Anodised Aluminium finish
SF	Special Finish
SSS	Satin Stainless Steel finish



**Door
Hardware**



**Entrance
Systems**



**Electronic
Access & Data**



**Interior Glass
Systems**



**Lodging
Systems**



**Mechanical
Key Systems**



Safe Locks



Services

Our Sustainability Commitment

We are committed to fostering sustainable practices along our entire value chain in line with our economic, environmental and social responsibilities.

We seek an open, transparent dialogue with all stakeholders to define strategies and actions based on clear targets and continuous improvement, and we actively report on our progress.

000138 Oct24

Subject to change without notice

dormakaba Australia

National Office
12-13 Dansu Court
Hallam VIC 3803
T 1800 675 411
info.au@dormakaba.com
www.dormakaba.com.au

dormakaba New Zealand

Building P 61-69 Patiki Road
1026 Avondale/Auckland
New Zealand
T: 0800 436 762
info.nz@dormakaba.com
www.dormakaba.com.au

Important information

This Technical Product Guide is intended to provide general information on the installation of dormakaba products and should not be used as a substitute for professional advice. There are many variables that can influence construction projects which affect whether a particular construction technique is appropriate. Before proceeding with any project, we recommend you obtain professional advice to ascertain the appropriate construction techniques to suit the circumstances of your project. We recommend you use qualified tradespersons to install these products. As of August 2024.

The printed colours indicating the surface finishes are not 100% accurate, but do provide a useful guide.

Statements made with regard to the nature or use of the products are for the purposes of descriptions. Assent with regard to the existence of particular properties or particular uses always requires special written agreement. Pictures may show special designs which are different to the standard scope of delivery.